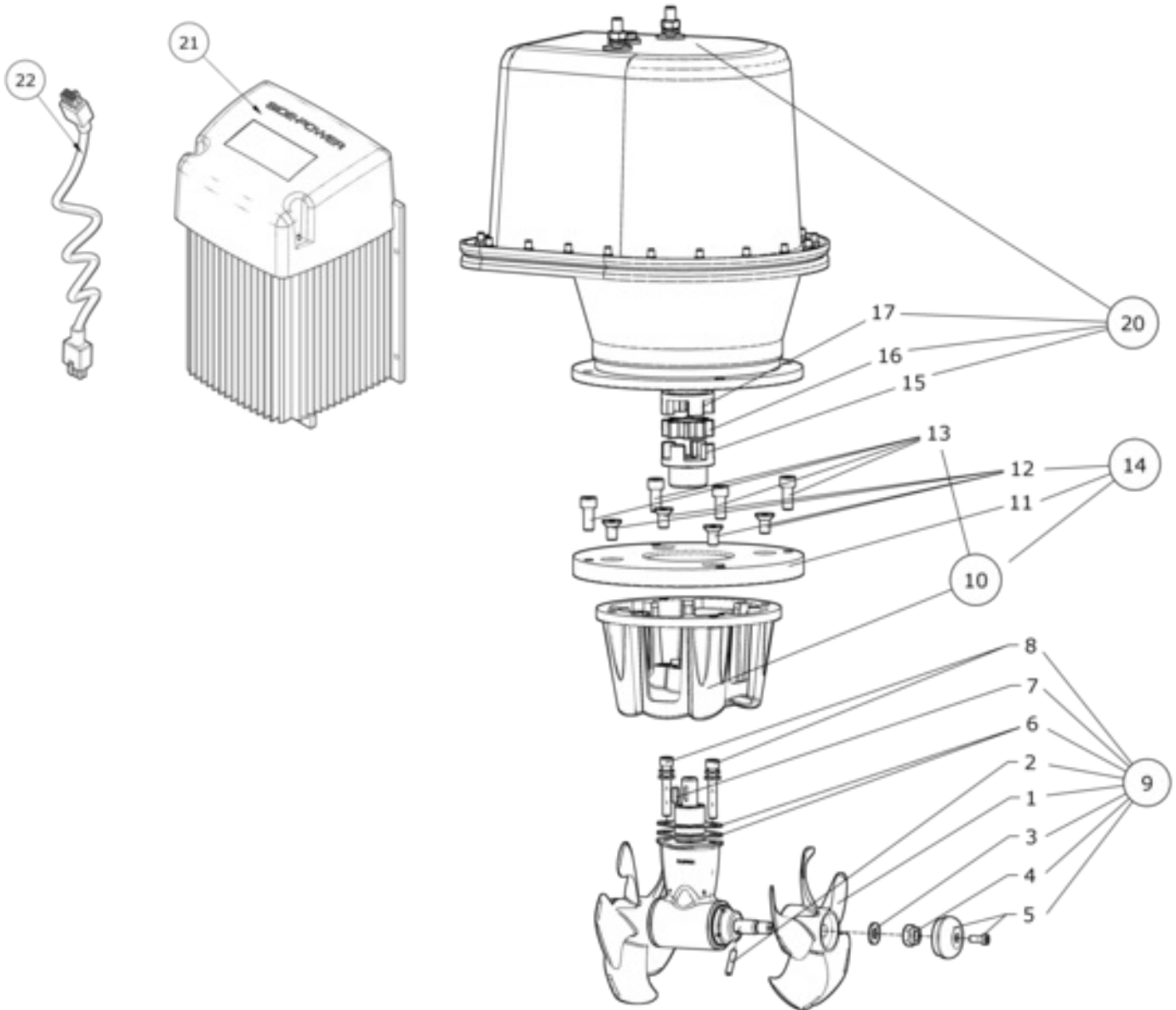


SEP100/185T-12IP - SEP100 Tunnel thruster, 12v-IP



Spare parts (valid from 2017-05-31)



#	Description	Product
1	Propeller	7 1261-BRUK SM151911 - Prop ø185/5bl Q-Prop Composite
2	Propeller drivepin	6 1241 - Drivpinne i propell 5mm 4/7 hp
3	Propeller washer	7 1181 - Skive SE60-80-100 feste prop.
4	Locknut	4 1260 - Låsemutter
5	Anode	7 1190 A - Alu anode SE60/80/100
6	Gasket	8 0610 - PAKNINGER FOR GEARHUS SP75/95
7	Driveshaft key	6 1440 - Kile for flex.kobl 7HK/SE80/10
8	Gearleg bolt	7 1080 - Skrue M8 x 55 Unbraco
9	Complete gearleg	8 0601 - Komplet gearhus oljef SE80/100
10	Motor bracket	8 0501 - Komplet motorbrakett SE80/100
11	Adapter flange	921302 - Adapterflens SE100-IP,250x12,5
12	Bolt, flange to bracket	11031 - Skrue M10 x 25 Unbraco senk
13	Bolt, motor to flange	10 1360 - Skrue M10 x 25 Unbraco
14	Complete motor bracket	N/A
15	Coupling, gearleg unit	7 1457 - Fleks kobling 20mm
16	Rubber element	7 1458 - Plastelement fleks kobl.
17	Coupling, motor unit	7 1456 - Fleks kobling 16mm
18	Complete flexible coupling	N/A
19	Key for electric motor shaft	10 1440 - Kile drivaksel SE100/++
20	Complete electric motor assembly	8 0109 12 - Elektromotor mont. SEP100/12IP
21	PPC	PPC820-NH - Proportional Power Contr.-IP
22	PPC control cable	6 1281B-05M - Cable thruster control 5m

The installer alone has responsibility for the installation of the spare parts. Side-Power only warranty the spare parts supplied only.

The information given in the document was correct at the time it was published. However, Sleipner Motor AS can not accept liability for any inaccuracies or omissions it may contain. Continuous product improvement may change the product specifications without notice. Therefore, Sleipner Motor AS can not accept liability for any possible differences between product and document.