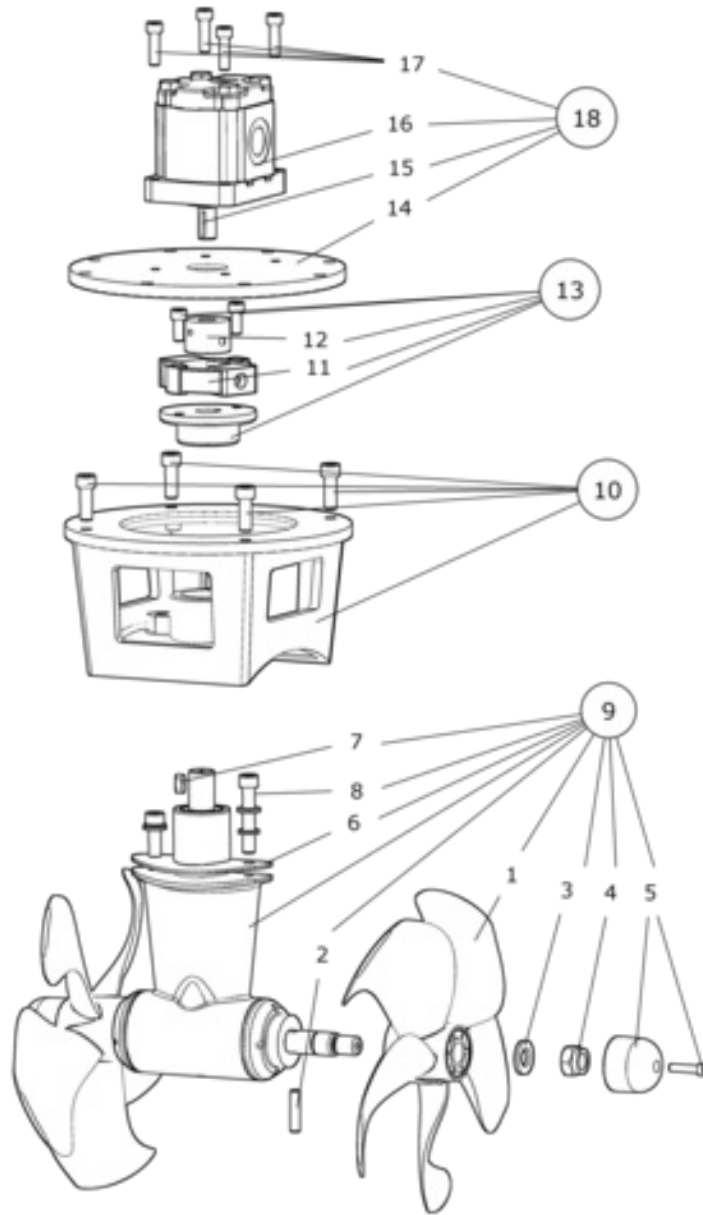


SH320/300TC-U14 - SH320 Tunnel thruster, U14

Spare parts (valid from 2018-08-30)



| # | Description | Product |
|-----|------------------------------|--|
| 1. | Propeller LH | SM-130943 - Propell SE300,Q/LH prop |
| 1b. | Propeller RH | SM-130945 - Propell SE300, Q/RH prop |
| 2. | Propeller key | 9 1241 - Drivpinne SE120-170 |
| 3. | Propeller washer | 20 1181 - Skive |
| 4. | Locknut | 10 1260 - DIN985 M16 CZ132 |
| 5. | Anode | 20 1180 A - Alu anode SE120/130/150/170 |
| 6. | Gasket | 20 1312 - Pakning mot tunnel 2mm SP220/2 |
| 7. | Drive shaft key | 10 1440 - Kile drivaksel SE100/++ |
| 8. | Gearleg bolt | 20 1080 - Skrue M10 x 60 Unbraco |
| 9. | Complete gearleg | 20 0602 - Girhus SE300TC |
| 10. | Complete motor bracket | 20 0502 - Motorbrakett SE300 |
| 11. | Rubber element | 20 1452 - Fleks.kobling gummi SP220/285 |
| 12. | Hub flexible coupling | 20 1453 - Sylindrisk boss N1,Ø15,L-30mm |
| 13. | Complete flexible coupling | 20 1450 - Compl.flex.coupling SP220/285 |
| 14. | Adaptor plate | 20 21301 - Hyd. plate maskinert SP300 |
| 15. | Drive shaft key | 7 1440 - Kile hyd.motor |
| 16 | Hyd. Motor options: | [Archived] 000-0096-76 - Eagle repaire Ultra Classic |
| 16a | U-10 (10ccm) | 72100/U10 |
| 16b | U-11 (11ccm) | 72100/U-11 - Hydraulikk motor 11ccm ultra |
| 16c | U-14 (14ccm) | 72100/U-14 - Hydraulikk motor 14ccm ultra |
| 16d | U-16 (16ccm) | 72100/U-16 - Hydraulikk motor 16ccm ultra |
| 16e | U-19 (19ccm) | 72100/U-19 - Hydraulikk motor 19ccm ultra |
| 16f | U-23 (23ccm) | 72100/U-23 - Hydraulikk motor 23ccm ultra |
| 17 | Hydraulic motor bolts | 6 1360 - Skrue M8 x 30 Unbraco |
| 18 | Hyd. Motor assembly options: | [Archived] 000-0096-76 - Eagle repaire Ultra Classic |
| 18a | SH320 motor, U-10, complete | 102100UL1 - Hyd. motor mont.SP300-10ccm U |
| 18b | SH320 motor, U-11, complete | 102100UL4 - Hyd. motor mont.SP300-11ccm U |
| 18c | SH320 motor, U-14, complete | 102110UL3 - Hyd. motor mont.SP300-14ccm U |
| 18d | SH320 motor, U-16, complete | 102115UL3 - Hyd. motor SP300/SH320 16ccm U |
| 18e | SH320 motor, U-19, complete | 102120UL3 - Hyd. motor SP300/SH320-19ccm U |
| 18f | SH320 motor, U-23, complete | 102123UL2 - Hyd. motor mont.SP300-23ccm U |

The installer alone has responsibility for the installation of the spare parts. Side-Power only warranty the spare parts supplied only.

The information given in the document was correct at the time it was published. However, Sleipner Motor AS can not accept liability for any inaccuracies or omissions it may contain. Continuous product improvement may change the product specifications without notice. Therefore, Sleipner Motor AS can not accept liability for any possible differences between product and document.