

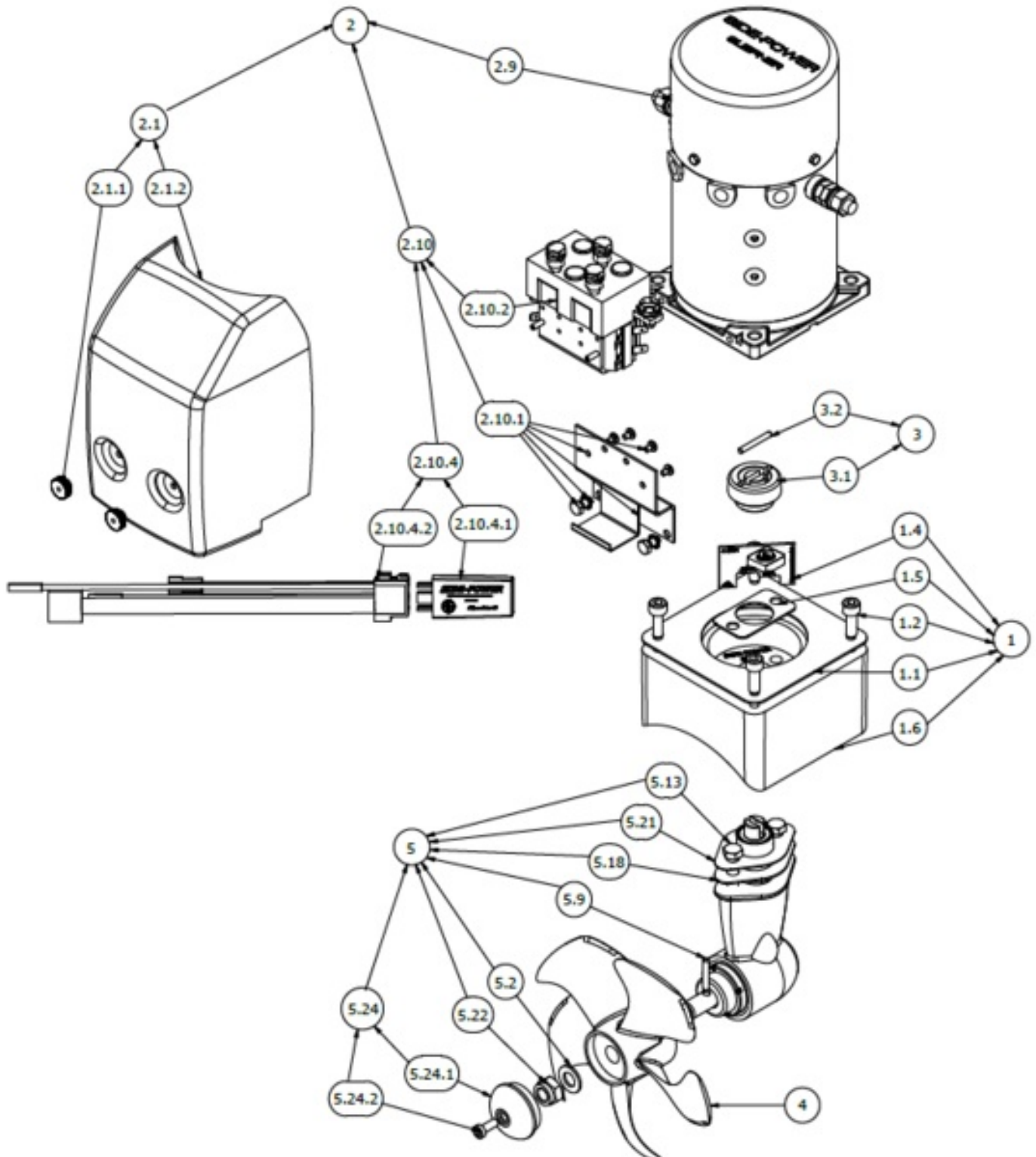
SE60/185S2-12V

SE60 Tunnel bow/stern thruster, 12V

Spare parts (valid from 2021-09-16)



SLEIPNER



#	Name	Item Code	Description
1	Complete motor bracket SE60	4 0502	Complete motor bracket SE60S2
1.1	Gasket for motor bracket SE60		6 1061 - Gasket for motor bracket SE60
1.2	DIN 912 - M8 x 22		110028 - Bolt
1.4	Measurement template for thruster SE50/60		4 8561 - Measurement template for thruster SE50/60
1.5	Support plate for motor bracket		4 1242 - Support plate for motor bracket
1.6	Motorbrakett SE60 maskinert		SM-136297 - Motorbrakett SE60 maskinert
2	Complete electric motor SE60	4 0101 12	Complete electric motor for thruster SE60SI-12V
2.1	Solenoid cover kit for SE60	SM168211	Solenoid cover kit SE60
2.1.1	Nut for solenoid cover		6 8807 - Nut for solenoid cover
2.1.2	Solenoid cover SE60S		4 2026 A - Solenoid cover SE60S
2.10	Complete solenoid replacement kit	4 0131 12	Solenoid, complete replacement with IPC & bracket
2.10.1	Solenoid bracket kit	4 0135	Solenoid bracket kit
2.10.2	Solenoid replacement	4 1472 12	Solenoid replacement
2.10.3	Treaded pin bolt DIN 916 - M4 x 12		6 1284 - Treaded pin bolt DIN 916 - M4 x 12
2.10.4	Controller SE40-80/12-24V (SE80-130/24V)	SM159144	Controller SE40-80/12-24V (SE80-130/24V)
2.10.4.1	Delay relay	6 1232 I	IPC relay 12/24V
2.10.4.2	Wireing	6 1226 B	Internal wiring harness
2.10.6	Cable lugs		RK0008 - Cable lugs
2.9	Electric motor		4 2010 12R - Electric motor
3	Coupling assembly	SM-137073	Complete flexible coupling SE50/60S2
3.1	Coupling SE50/60	140992	Flexible coupling SE50/60S2
3.2	Drive pin ISO 8734 - 4 x 32 - A		141 285 -Drive pin ISO 8734 - 4 x 32 - A
4	5bl skew propell SE60	4 1261	Q-Prop thruster propeller, Composite Ø185/ 5 bl.
5	Gearleg mount.w/out propell	4 0602-U	Gearleg w/out propeller SE60 / sealed drive
5.13	Bolt - DIN 609 - M8 x 55 - 13		6 1080 - Bolt - DIN 609 - M8 x 55 - 13
5.18	Gasket 1,5mm gearleg		6 1311 15 - Gasket 1,5mm gearleg
5.2	Propell washer SS2324		7 1181 - Propell washer SS2324
5.21	Gasket 1mm gearleg		6 1311 10 - Gasket 1mm gearleg
5.22	Lock nut DIN 985 - M12x1,75		4 1260 - Lock nut DIN 985 - M12x1,75
5.24	Alu anode SE60/80/100	7 1190 A	Anode kit, aluminium for SE60/80/100
5.24.1	Anode Aluminium		7 9998 - Anode Aluminium
5.24.2	DIN 6912 - M6 x 16		6 1174 - Bolt DIN 6912 - M6 x 16
5.9	Drive pin for propell		6 1241 - Drive pin for propell
*6	Brushes for motor (kit)		
*7	Brushes spring for motor (kit)		
*8	Temp switch		

(*6) Please provide thruster serial # when ordering brushes & brushes spring for motor.

(*7) Please provide thruster serial # when ordering brushes & brushes spring for motor.

(*8) Please provide thruster serial # when ordering temp switch.

The installer alone has responsibility for the installation of the spare parts. Side-Power only warranty the spare parts supplied only.

The information given in the document was correct at the time it was published. However, Sleipner Motor AS can not accept liability for any inaccuracies or omissions it may contain. Continuous product improvement may change the product specifications without notice. Therefore, Sleipner Motor AS can not accept liability for any possible differences between product and document.